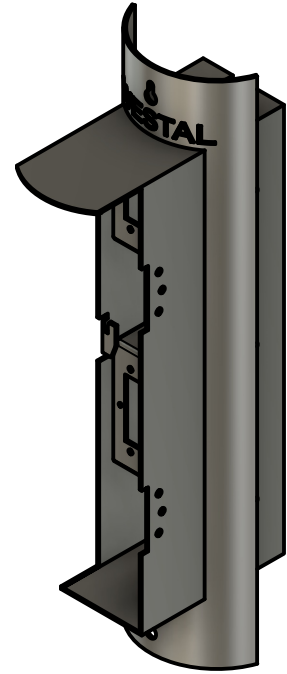
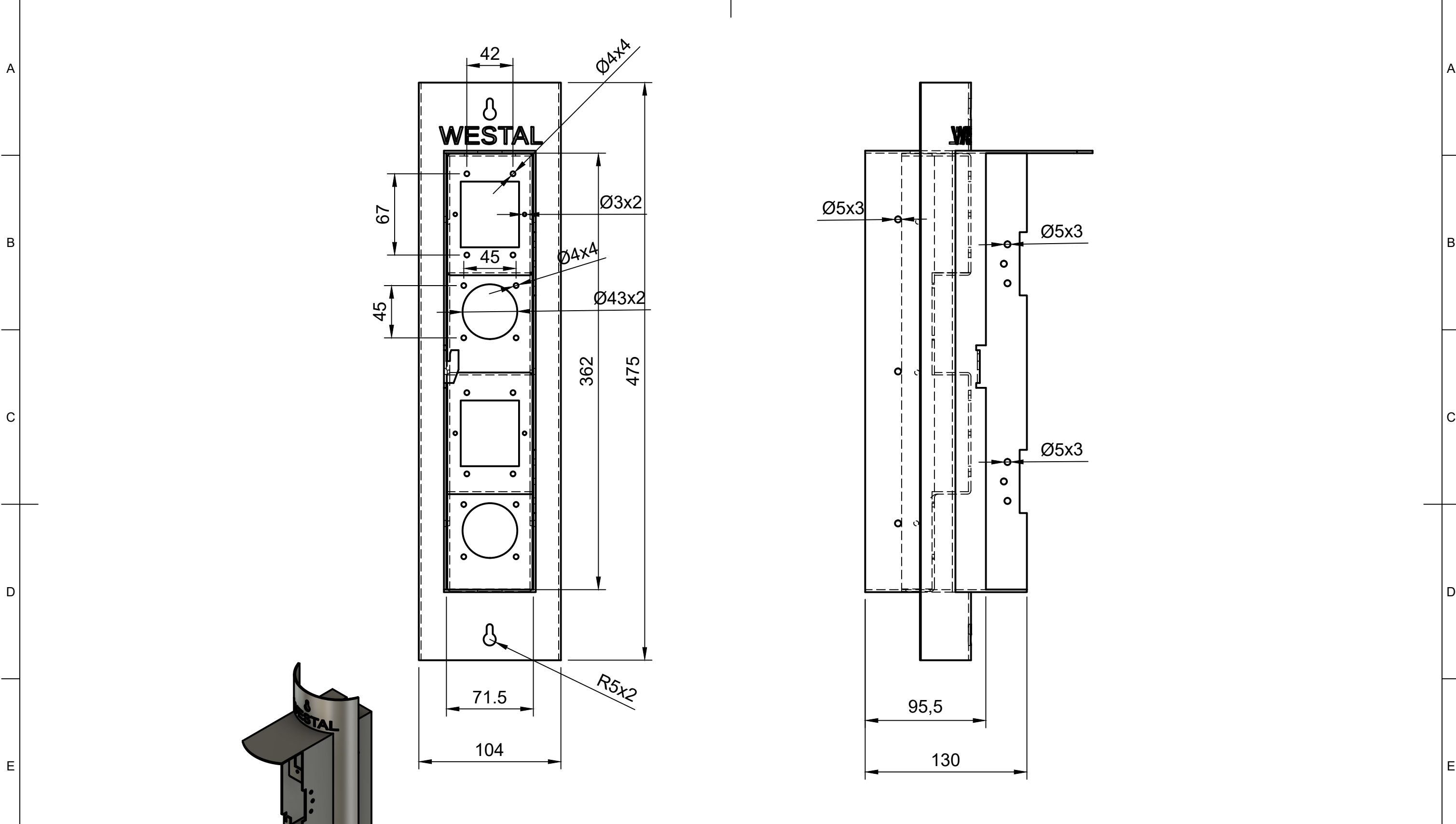


1 2 3 4 5 6 7 8



Dept.	Technical reference 1:3	Created by Tobias Klaesson 2021-06-16	Approved by Robert Johansson 2021-06-16
		Document type Part document	Document status Approved
		Title Stolplucka med uttag 7910308	DWG No. 7910308
Rev.	Date of issue	Sheet	
1.0	21-06-16	1/1	

1 2 3 4 5 6 7 8